

LaserDisc™

**PIONEER®**  
The Art of Entertainment

# INDUSTRIAL LASERDISC™ PLAYER CLD-V2800



  
5Disc Compatible

  
LaserBarcode 2

  
Bar Code CD

The LaserBarcode reader shown above is an option.

# Pioneer's new CLD-V2800

## A slim line player that blends professional performance with style

Introducing the CLD-V2800. Pioneer's newest LaserDisc player. Just like its predecessors, it is designed for reliable use in demanding professional fields where video-based instruction and communications have become indispensable. The CLD-V2800 has virtually all the features you've come to expect of a Pioneer player, including full LD, audio CD and CDV compatibility, and a choice of remote control, barcode or computer-controlled operation. In addition, this new model incorporates such features as separate CD and LD trays, instant disc type recognition and a volume control-equipped headphone jack. And unbelievably, all this performance has been shrunk down into a lightweight 12 lbs. 9 oz. package with a compact 12-5/8" (W) X 15-11/16" (D) footprint.

### RS-232C Interface and Standard Command Protocol Enable Versatile Computer Control

Pioneer has equipped the CLD-V2800 with an RS-232C interface that allows you to connect the player to most PC brands including Macintosh and Amiga. What's more, the new model responds to Pioneer's LaserDisc command protocol which is supported by dozens of multimedia authoring systems. So it's compatible with most current multimedia software and also runs programs developed for the CLD-V2400, CLD-V2600, LD-V2200 and LD-V4400 with little or no modification.

### Pioneer's LaserBarcode System Takes the Trial and Error out of Using the Remote Control

Designed to simplify remote control operation, the CLD-V2800's LaserBarcode system conforms with the latest industry standards. The operator simply scans a printed barcode from the support materials provided with the relevant software package using an optional handheld barcode reader, and the CLD-V2800 executes the playback commands encoded within that barcode. The system is so easy to use that literally anyone can initiate complex operations after just a few minutes of instruction. In addition, barcode creation software such as Bar 'n' Coder™, BarKoder™ for Windows and LaserDisc Controller are available to allow you to generate your own barcodes in order to integrate existing resource materials with videodisc-based presentations.

### Bar Code CD™ Permits Versatile CD Audio Playback

In addition to its impressive video and multimedia capabilities, the CLD-V2800 plays conventional audio CDs while providing much more flexibility than a regular CD player. The Bar Code CD™ system allows access to any point on the disc for instant playback of any desired music or language selection, as well as permitting computer-controlled playback and enabling the preparation of innovative interactive audio applications. Operating under Bar Code CD™ or under computer control, the CLD-V2800 is capable of locating and playing audio segments just a fraction of a second in length—small enough to pinpoint a single word, a syllable or a musical note.

### Direct CD Tray

Besides a full-size LD tray, the CLD-V2800 incorporates a separate tray that accepts CDs and CD singles. Designed for more convenient operation, this tray offers smooth one-touch playback.



Two-Way Disc Tray opening:  
Full size tray for LDs and small size tray for CDs.

### Playback of Five Different Kinds of Disc

The CLD-V2800 is capable of playing both 12" and 8" LDs and is also fully compatible with standard 5" standard audio CDs, 3" CD singles and 5" CDV (Compact Disc Video) discs.

### Superb Audio and Video Fidelity

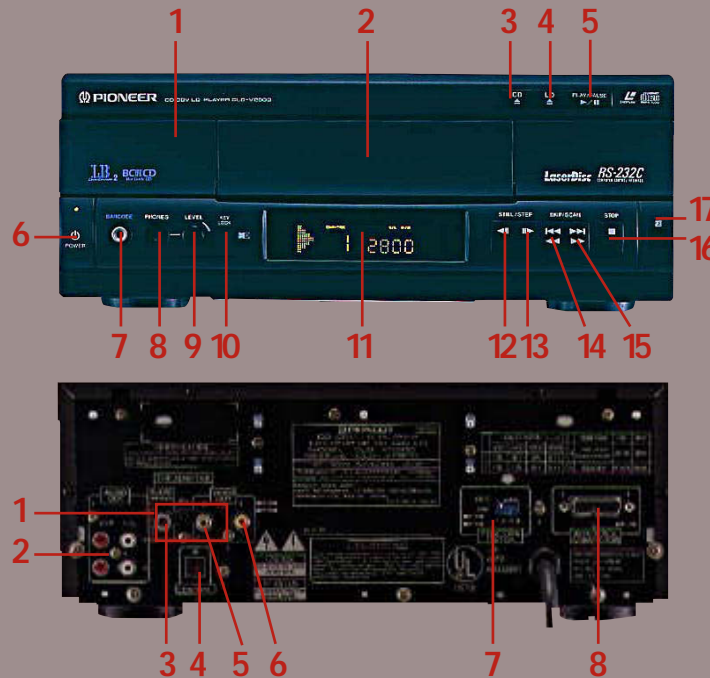
Pioneer's LaserDisc optical system utilizes a non-contact laser pickup to ensure clear, high resolution video reproduction that doesn't deteriorate over time. Moreover, the CLD-V2800's superb picture quality is matched by advanced audio circuitry that delivers extremely high-fidelity sound with a 98 dB signal-to-noise ratio. And to add to its application possibilities, this model can reproduce two digital and two analog audio channels, plus two video outputs to simplify video monitor connection.

### Optional RF Modulator

The CLD-V2800 can be fitted with an optional RF modulator to allow connection with a television set or video monitor via the latter's antenna terminal in cases where regular AV terminals are not available.

## Front Panel

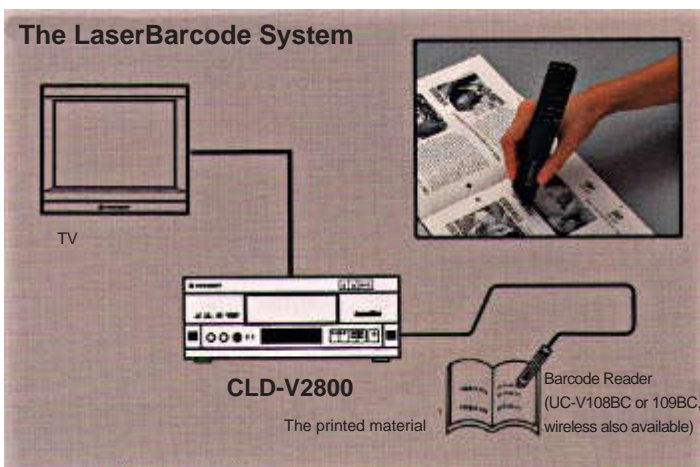
- 1 LD Tray
- 2 CD Tray
- 3 CD Open/Close Key
- 4 LD Open/Close Key
- 5 Play/Pause Key
- 6 Power Switch
- 7 LaserBarcode Jack
- 8 Headphone Jack
- 9 Headphone Volume Control
- 10 Key Lock Indicator
- 11 Status Display
- 12 Still/Step REV Keys
- 13 Still/Step FWD Keys
- 14 Skip/Scan REV Keys
- 15 Skip/Scan FWD Keys
- 16 Stop Key
- 17 Remote Sensor Window



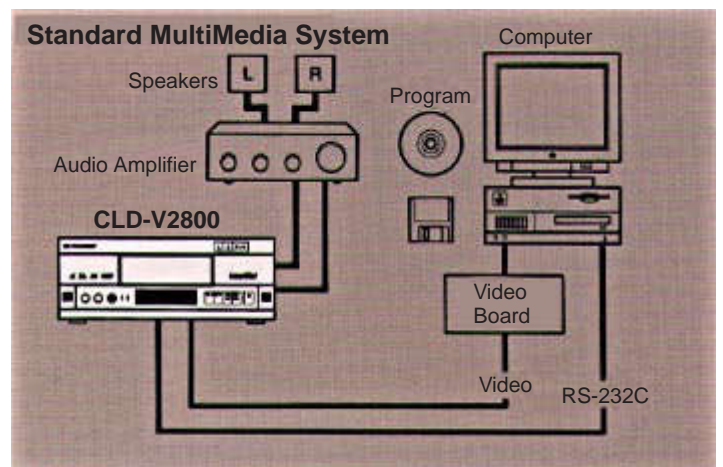
## Rear Panel

- 1 VHF Adaptor Output Terminal
- 2 Audio Out Terminal (L/R x 2, RCA pin)
- 3 Audio Out Terminal (Mono, RCA pin)
- 4 Control In Terminal
- 5 Video Out Terminal (RCA pin)
- 6 Video Out Terminal (RCA pin)
- 7 Function Switches (Baud Rate, Start Mode, Blue/Black)
- 8 RS-232C Serial Port (D-Sub 15 pin)

## The LaserBarcode System



## Standard MultiMedia System



## Auto Start and Auto Repeat

If a disc is inserted and the player is in the Power On mode, playback begins automatically when the main power is switched on. The player can also be set to repeat continuously until playback is stopped manually, either by remote control or via the main power switch. These functions make the CLD-V2800 perfect for exhibition and in-store display applications, as playback can begin and end automatically when the room's power is turned on and off.

## Large Size Remote Control Unit

The CLD-V2800's wireless infrared remote control unit features extra-large keys to allow easier and more convenient operation during lectures, presentations, etc.

## Text Display for Titles, Instructions and Comments

Pioneer has provided the CLD-V2800 with a handy text display function that allows alphanumeric displays of up to 10 lines x 20 characters (upper or lower case) to be superimposed over any on-screen image.

## Reinforced Chassis and Grounded Power Cord

Despite its diminutive dimensions, the CLD-V2800 employs a specially designed reinforced chassis which is strong enough to support a weight of 20 lbs. (9.1kg). In addition, this model is equipped with a three-prong grounded power cord to ensure maximum safety.

## Headphone Jack with Volume Control

Featuring a handy volume control, this headphone jack is ideal for library or media center use, individual lessons and other situation where private listening is desired.

## Front Panel Display

The CLD-V2800 is equipped with a bright fluorescent display that enables easy viewing of the player's current status.

## CLD-V2800 Specifications

| General                           |   |                           |
|-----------------------------------|---|---------------------------|
| <b>Mechanism</b>                  |   |                           |
| Pick up                           | Laser Diode (780 nano-meter)                              |                           |
| Loading Mechanism                 | Full Automatic  |                           |
| <b>Power Requirement</b>          |   |                           |
| Primary Power                     | 120 V ± 10%   | 50/60Hz                   |
| Power Consumption                 | Less than 30 Watts (Typical)                              | Less than 80 Watts (Max.) |
| Others                            | 3 Prong Plug  |                           |
| <b>Applied Safety Regulations</b> |   |                           |
| Safety                            | UL  | UL-1409                   |
| Radiation                         | FCC   | CLASS B                   |
| <b>Environment</b>                |   |                           |
| Operating Temperature             | 5°C ~ 35°C  |                           |
| Operating Humidity                | Less than 85%   | No Moisture Condensation  |
| Dimensions (W x H x D)            | 12-5/8 x 5-1/16 x 15-11/16 inches<br>(320 x 128 x 399 mm) | Excluding buttons         |
| Weight                            | 12 lbs. 9 oz (5.7 kg)                                     |                           |
| <b>Playable Discs</b>             |   |                           |
| Signal Type                       | Laser Disc  | NTSC                      |
|                                   | CD (Including CDV)  |                           |
| Size, Type                        | 3/5 inches (CD)   |                           |
|                                   | 5 inches (CDV)  |                           |
|                                   | 8/12 inches (LD)  |                           |
| Material                          | Acrylic, Polycarbonate                                    |                           |
| <b>Video Signal</b>               |   |                           |
| Output Level                      | 1 Volt p-p ± 10%  | 75 Ω terminated           |
| Signal to Noise ratio             | 48dB  | Un-weighted (EIAJ)        |
| Horizontal Resolution             | 425 lines   |                           |
| <b>Audio</b>                      |   |                           |
| Output Connector                  | RCA pin jack (two pairs)                                  | Auto Digital              |

|                                  |  |                           |
|----------------------------------|--|---------------------------|
| <b>Digital Audio (LD and CD)</b> |  |                           |
| Output Level                     | 200mVolts ± 15%                                    | 1kHz at - 20dB            |
| Signal to Noise Ratio            | Better than 98dB                                   |                           |
| Frequency Response               | 4Hz ~ 20kHz ± 2dB                                  |                           |
| <b>Analog Audio (LD only)</b>    |  |                           |
| Output Level                     | 200mVolts ± 22%                                    | 1kHz at 40% modulation    |
| Frequency Response               | 20Hz ~ 20kHz ± 3dB                                 |                           |
| <b>Operating Time</b>            |  |                           |
| Stop Time                        | Less than 5 sec.                                   |                           |
| <b>Search Time (LD)</b>          |  |                           |
| 1 ~ 54,000 (Frame)               | 4.5 sec. (Average)                                 |                           |
| 5 ~ 55 Min. (Time)               | 6 sec. (Average) with TOC                          |                           |
|                                  | 11 sec. (Average) without TOC                      |                           |
| <b>Functions</b>                 |  |                           |
| Loading                          | Fully Automatic LD Tray and CD Tray                |                           |
| User's Display                   | 20 characters x 10 lines                           |                           |
| RCU                              | Wired/Wireless                                     | SR Type                   |
| LaserBarcode                     | Mode 2 Control Built in                            |                           |
| Bar Code CD                      |  |                           |
| RS-232C Serial I/F               | D-sub 15pin (LD & CD)                              | 1.2k/2.4k/4.8k/9.6k (bps) |
| Commands Protocol                | Same as LD-V2200                                   | With Additional Commands  |
| Function Switch                  | Dip Switch   |                           |
| <b>Player Accessories</b>        |  |                           |
| 1. Operating Instructions        | 4. Remote Control (Large Size)                     |                           |
| 2. Video Cable                   | 5. RF Modulator, RF Antenna Cable, Antenna Adaptor |                           |
| 3. Audio Cable (Stereo)          |  |                           |

- Note:
1. Design and specifications are subject to modification without notice.
  2. Apple II and Macintosh are trademarks of Apple Computer, Inc.
  3. IBM is a trademark of IBM Corporation.
  4. CX is a trademark of CBS, Inc.
  5. Amiga is a trademark of Commodore Business Machines, Inc.
  6. MS-DOS and Windows are trademarks of Microsoft Corporation.
  7. Bar 'n' Coder is a trademark of Pioneer New Media Technologies, Inc.
  8. Bar Code CD is a trademark of Sony Corporation.

## Options

### LaserBarcode Readers

#### UC-V109BC

This slim, pen-type model features a built-in remote control function to enable wired or wireless LaserBarcode or Bar Code CD operation. Direct player operation is also possible with function buttons that support eight popular player commands.



#### UC-V108BC

Designed for easy, one-step scanning, this model comes with built-in remote control to allow wired or wireless operation and is both LaserBarcode and Bar Code CD compatible. Direct player operation is also possible with function buttons that support ten popular player commands.



### Bar 'n' Coder

This software package supports Macintosh-based barcode printing.

### LaserDisc Controller

MS-DOS-based barcode printing software.

### BarKoder for Windows

Windows 3.1-based barcode printing software.

### Interface Cables

#### CC-03

DB-15 male to DB-25 male

For Apple II Super serial Card.

#### CC-04

DB-15 male to circular 8 pin.

For Macintosh and Apple II GS.

#### CC-12

DB-15 male to DB-25 female.

For IBM PS/2 25-pin connector.

#### CC-13

DB-15 male to DB-9 female.

For IBM PC/AT style 9-pin connector.

**LaserDisc™**

LaserDisc is a trademark of Pioneer Electronic Corporation.



LASER DISC  
This mark is the world-wide Laserdisc mark.



LaserBarcode 2  
This mark expresses compatibility with the LaserBarcode systems.



**BC|||CD**

Bar Code CD  
This mark expresses compatibility with Bar Code CD systems.

#### CONTACT

- Pioneer Electronic Corporation (JAPAN) – URL: <http://www.pioneer.co.jp/>
- Pioneer New Media Technologies (USA), Inc. – URL: <http://www.pioneerusa.com/>
- Pioneer Electronics (Europe) N.V. – URL: <http://www.pioneer-eur.com/>
- Pioneer Electronics Asiacentre (ASEAN) PTE.LTD.– URL: <http://www.pioneer.com.sg/>