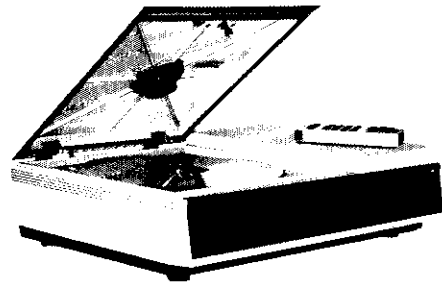


SUPPLEMENT

 **PIONEER**

Service Manual



**ORDER NO.
VRT-010**

VIDEO DISC PLAYER

PR-8210

NOTE:

This service manual describes different items from VRT-006.

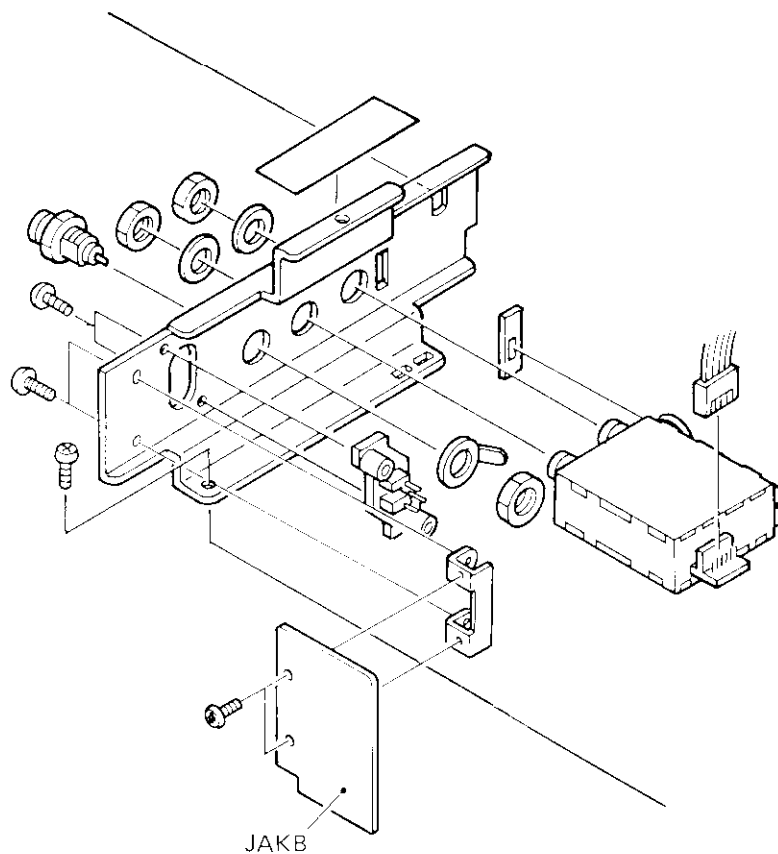
PIONEER ELECTRONIC CORPORATION 4-1, Meguro 1-Chome, Meguro-ku, Tokyo 153, Japan
PIONEER VIDEO, INC. 200 West Grand Avenue, Montvale, New Jersey 07645, U.S.A.

© JAN. 1983 Printed in Japan

1. PR-8210 service parts contrast table

Part name	PR-8210 without JAKB		PR-8210 with JAKB
	Part no.	Described on page — of VRT-006	Part no.
Front acryl	VNK-066	Page 51, 52	VNK-133
Front panel assembly	VXX-060	51, 52	VXX-114
JAKB	—	—	VWG-075
Connector assembly KEYC — N25	—	—	VKP-188
Remote control unit	VXX-073	61, 62	RU-8210
Operating instructions	VRB-009	61, 62	VRB-017
Simplified instructions	VRN-010	61, 62	VRN-017

2. JAKB LOCATION



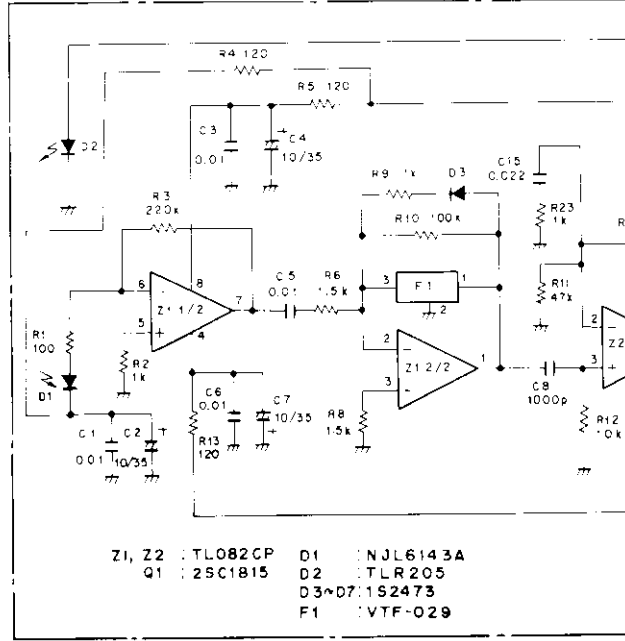
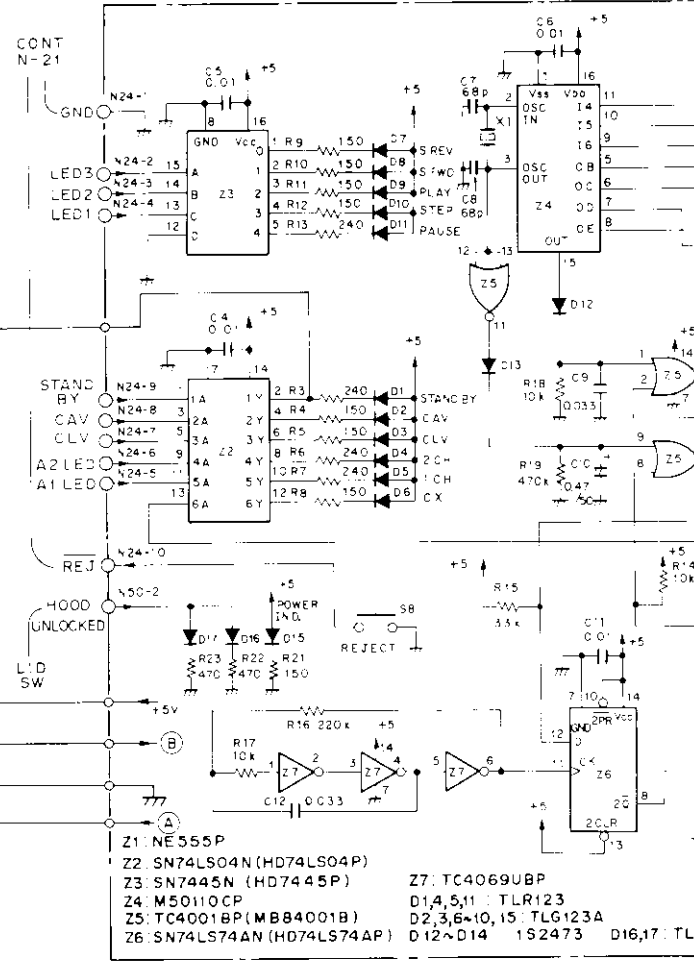
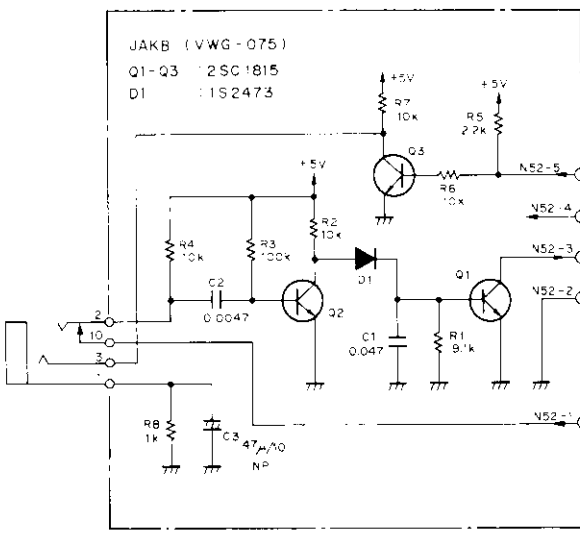
3. JAKB, KEYC & IRAB

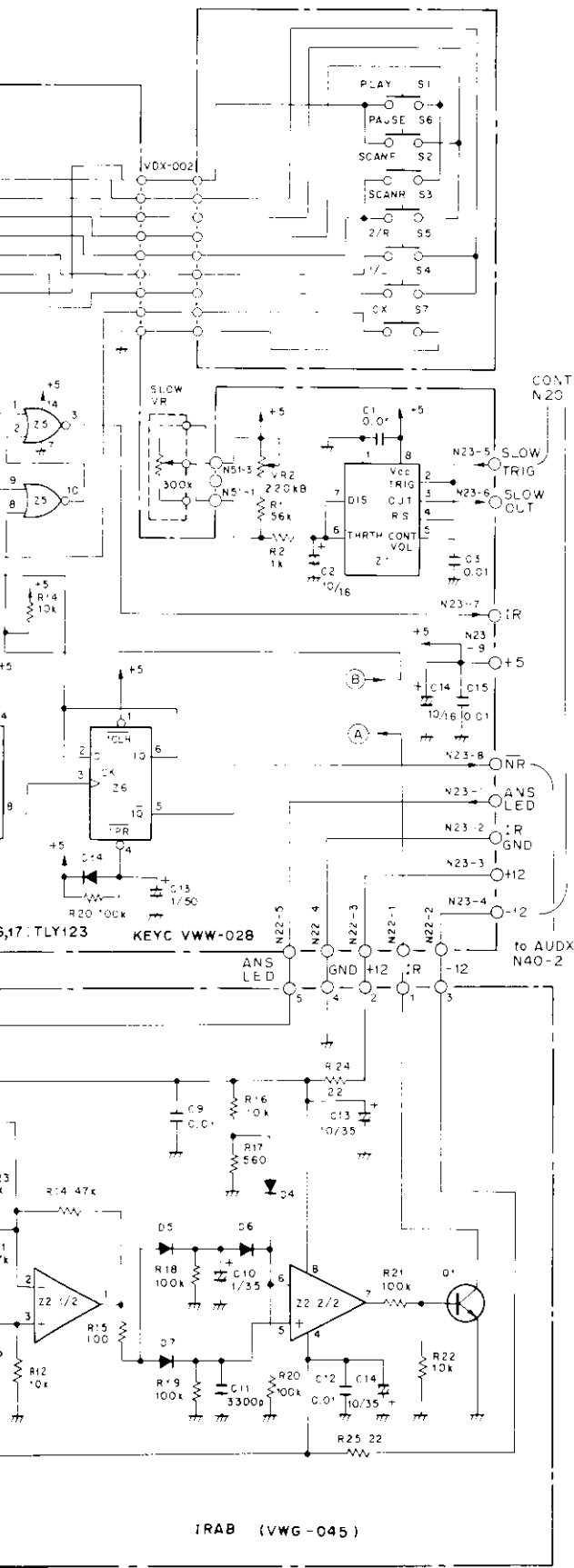
A

B

C

D





JAKB (VWG-075)

SEMICONDUCTORS

Mark	Part No.	Symbol & Description
	2SC1815-O/Y/GR	Q1-Q3
	1S2473	D1

CAPACITORS

Mark	Part No.	Symbol & Description
	CQMA473J50	C1
	CQMA472J50	C2
	CEA470M10NP	C3

RESISTORS

Mark	Part No.	Symbol & Description
	RD1/4VS912J	R1
	RD1/4VS103J	R2, R4, R6, R7
	RD1/4VS104J	R3
	RD1/4VS222J	R5
	RD1/4VS102J	R8

OTHERS

Mark	Part No.	Symbol & Description
	VKN-092	Phone jack, stereo, mini

A

B

C

D

1

2

3

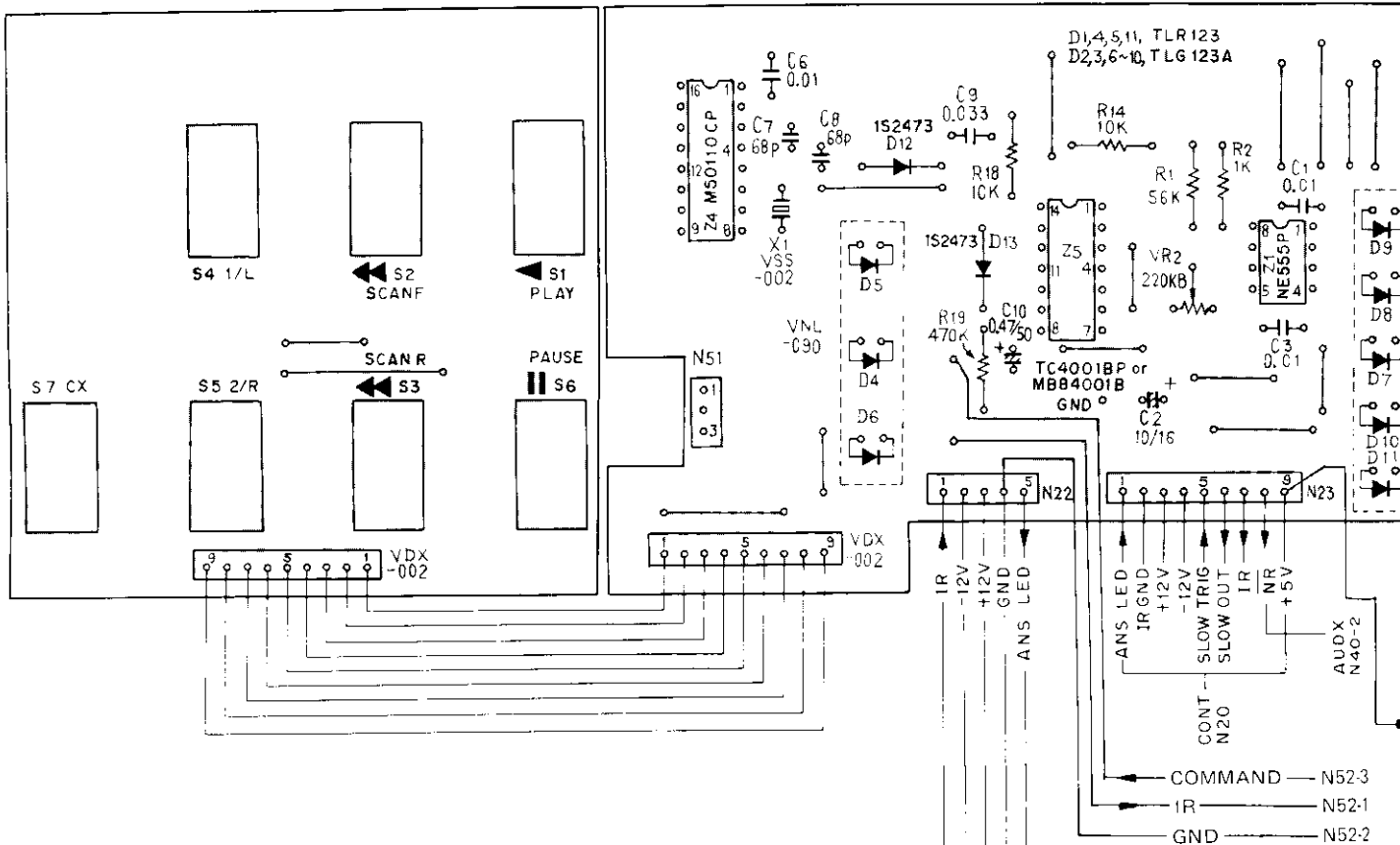
Z4

Z5

Z1

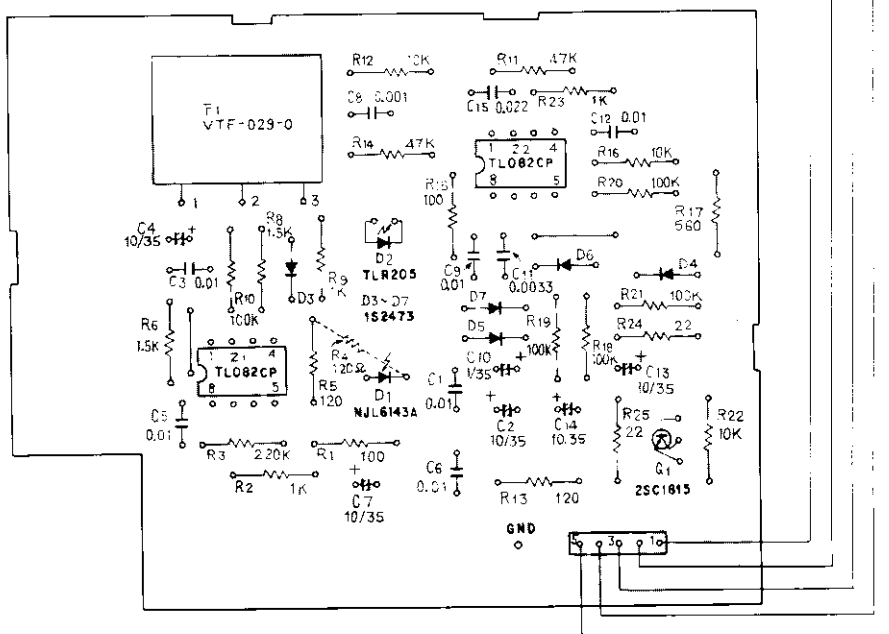
VR2

A



B

C



D

1

2

3

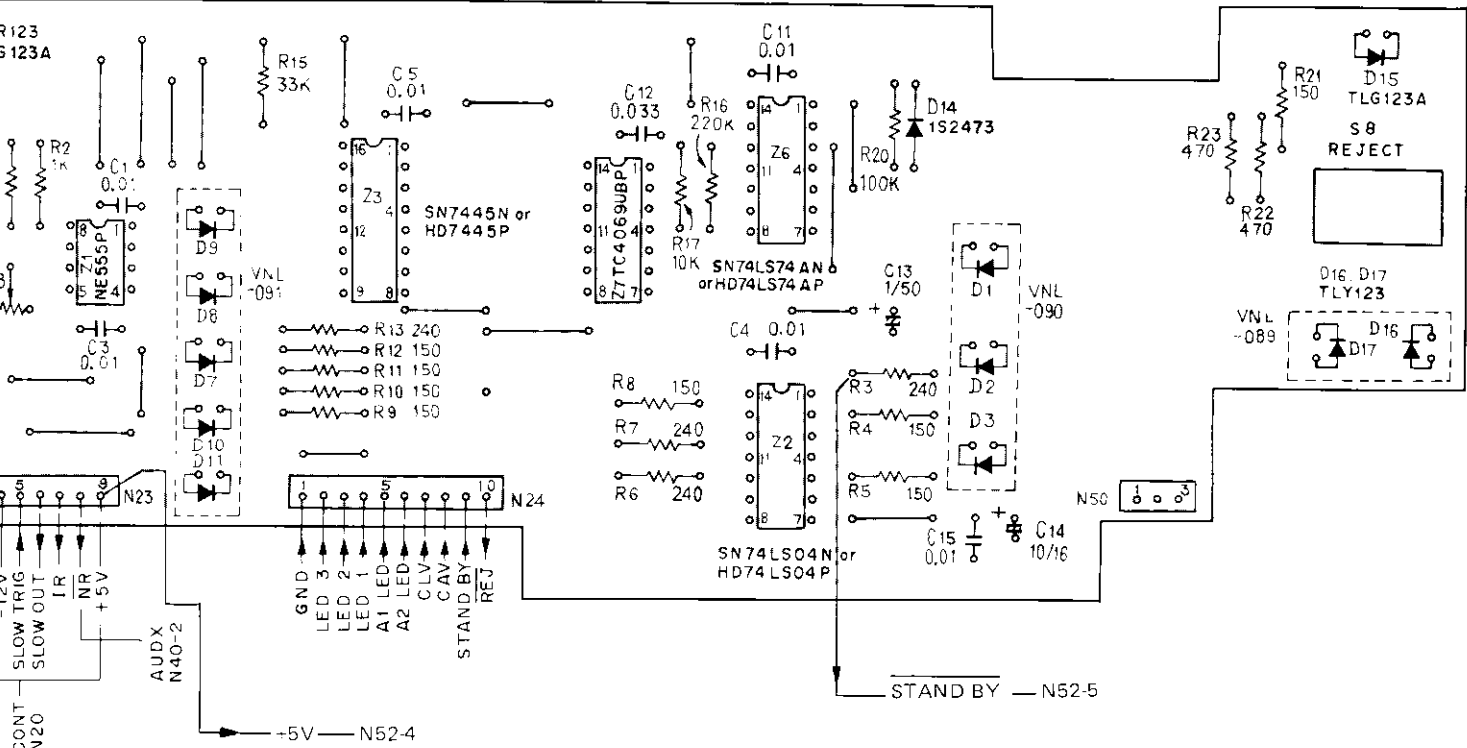
R2

Z1

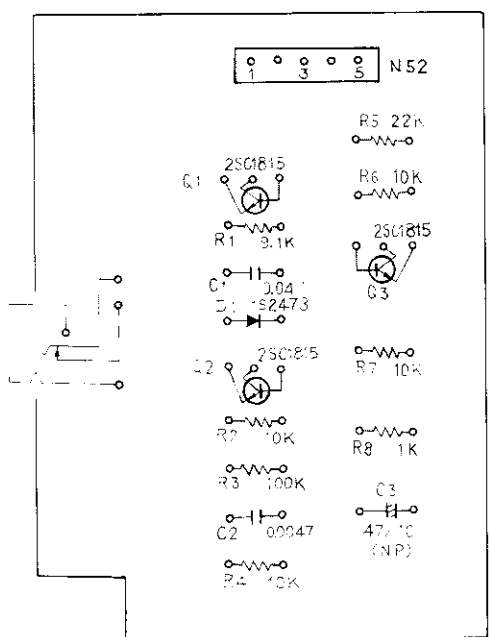
Z3

Z7

Z2 Z6



COMMAND — N52-3
 R — N52-1
 AND — N52-2



A

B

C

D